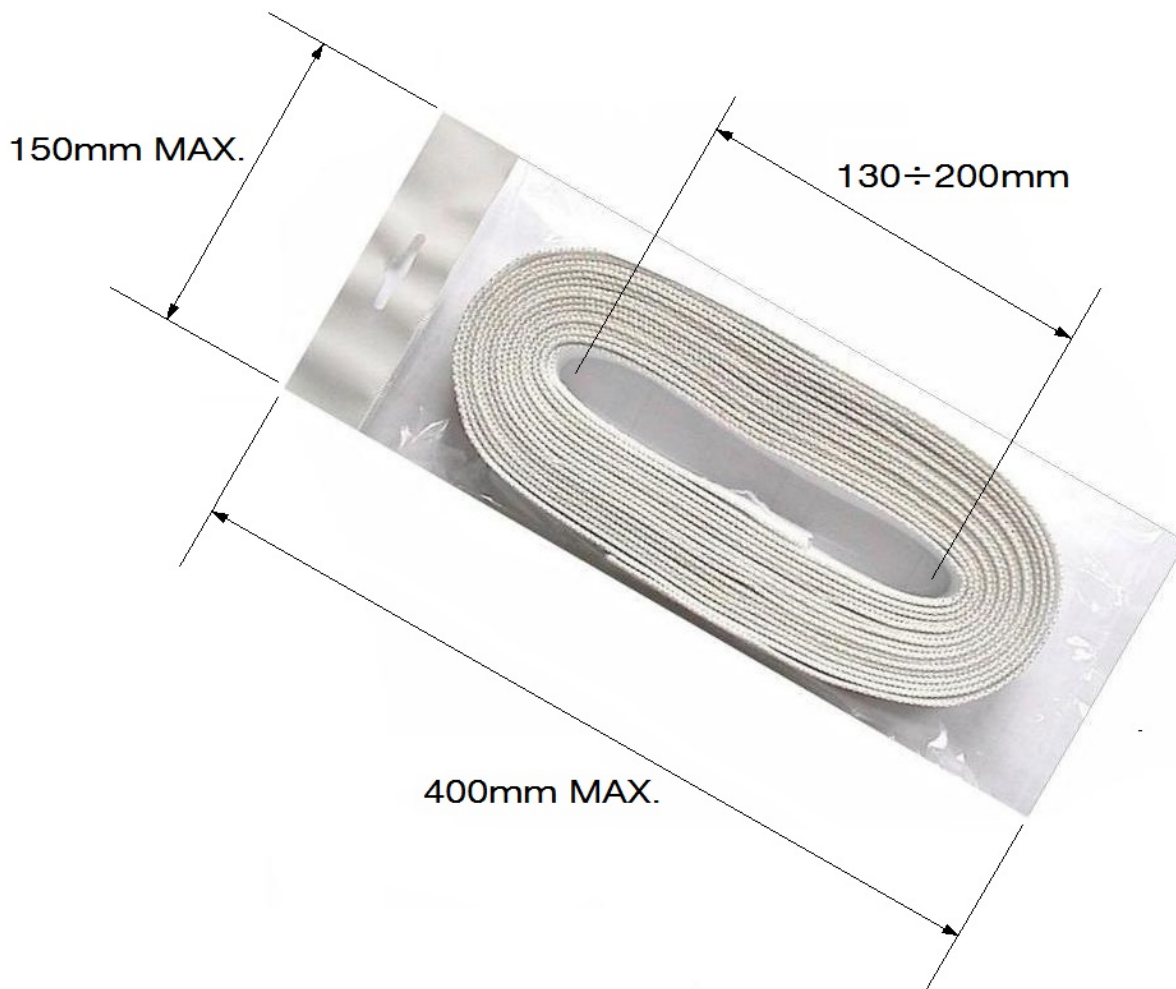




50mm MAX.



150mm MAX.

130÷200mm

400mm MAX.

SPECIFICATIONS:

Cycle time: 6"



600 Kg



3x230/400V
50/60 Hz
4 Kw



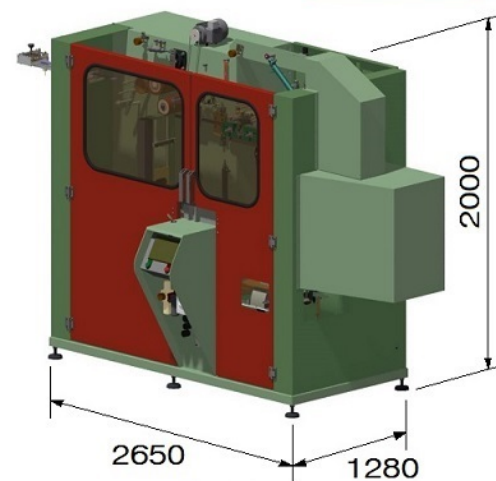
0,6 MPa. (6 Bar)
200 NL/min



200 m/min (max)

DIMENSIONS

APS



2650

1280

2000